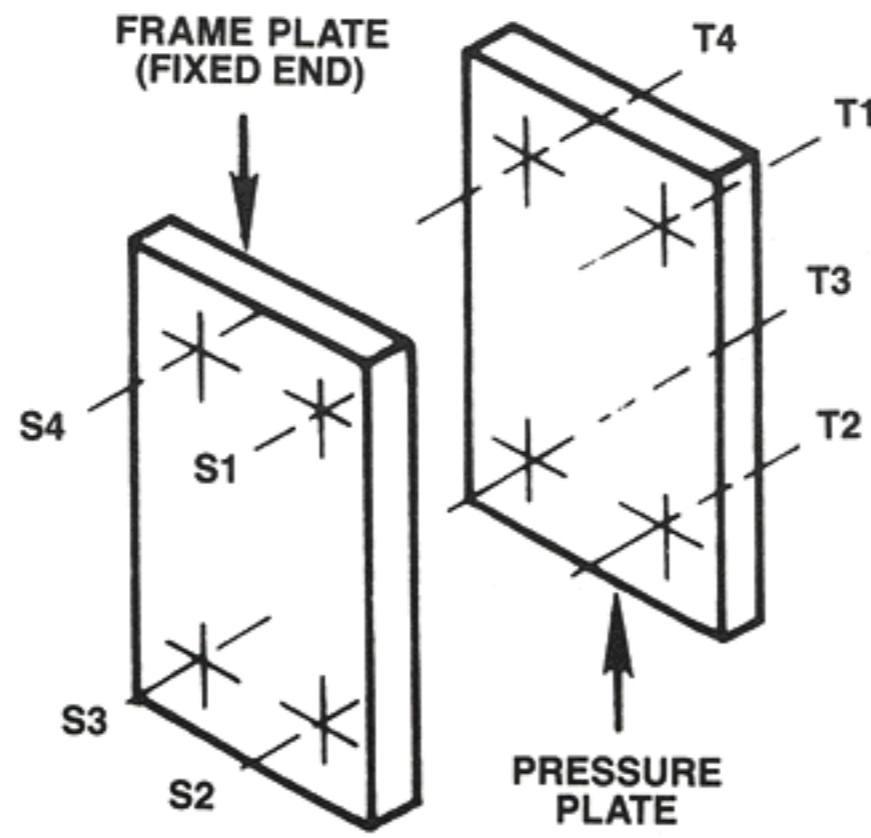


TYPICAL CONNECTION LOCATIONS



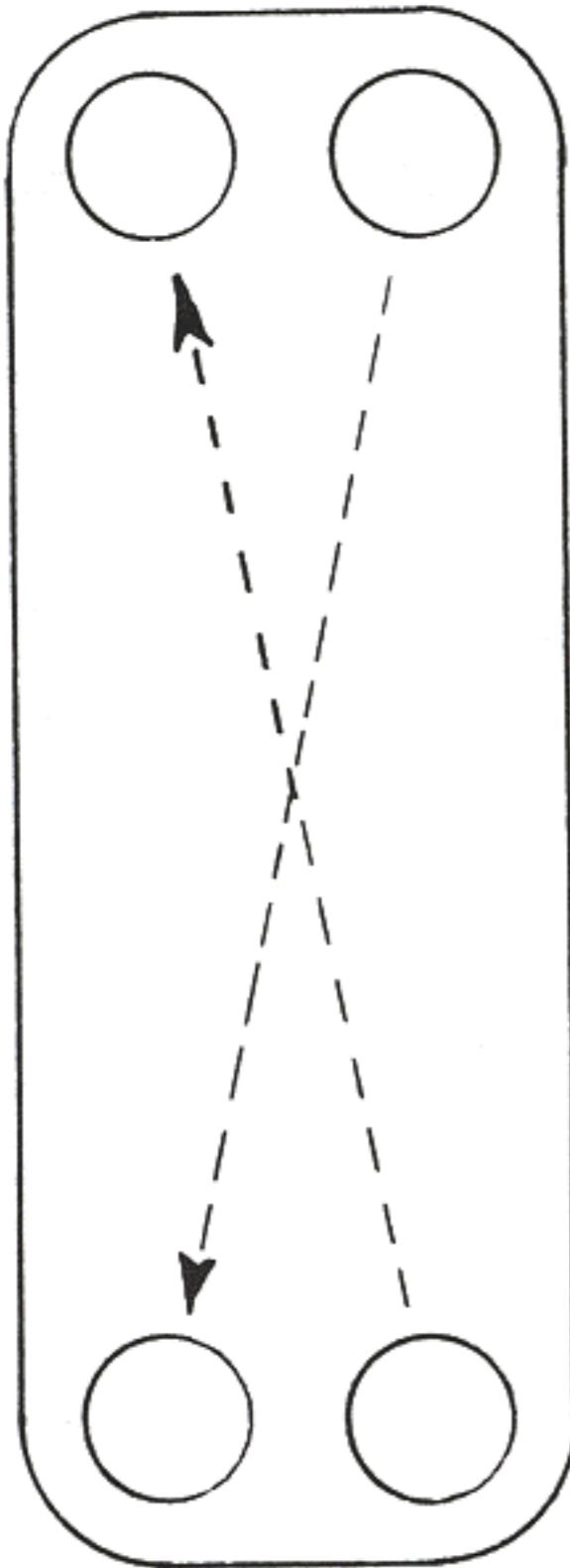
DESCRIPTION	PARALLEL FLOW PATTERN	DIAGONAL FLOW PATTERN
SINGLE PASS		
HOT IN	S1	S1
HOT OUT	S2	S3
COLD IN	S3	S2
COLD OUT	S4	S4
MULTIPASS (EVEN NO. OF PASSES)		
HOT IN	S3	S2
HOT OUT	T3	T2
COLD IN	T2	T3
COLD OUT	S2	S3
MULTIPASS (ODD NO. OF PASSES)		
HOT IN	T3	T2
HOT OUT	S4	S4
COLD IN	S1	S1
COLD OUT	T2	T3

NOTE 1: For multisection or other arrangement, consult factory.

NOTE 2: Connection locations indicated are shown as typical but may not represent all installations. If dimensions and connection locations are needed for prepping layout, write for certified prints.

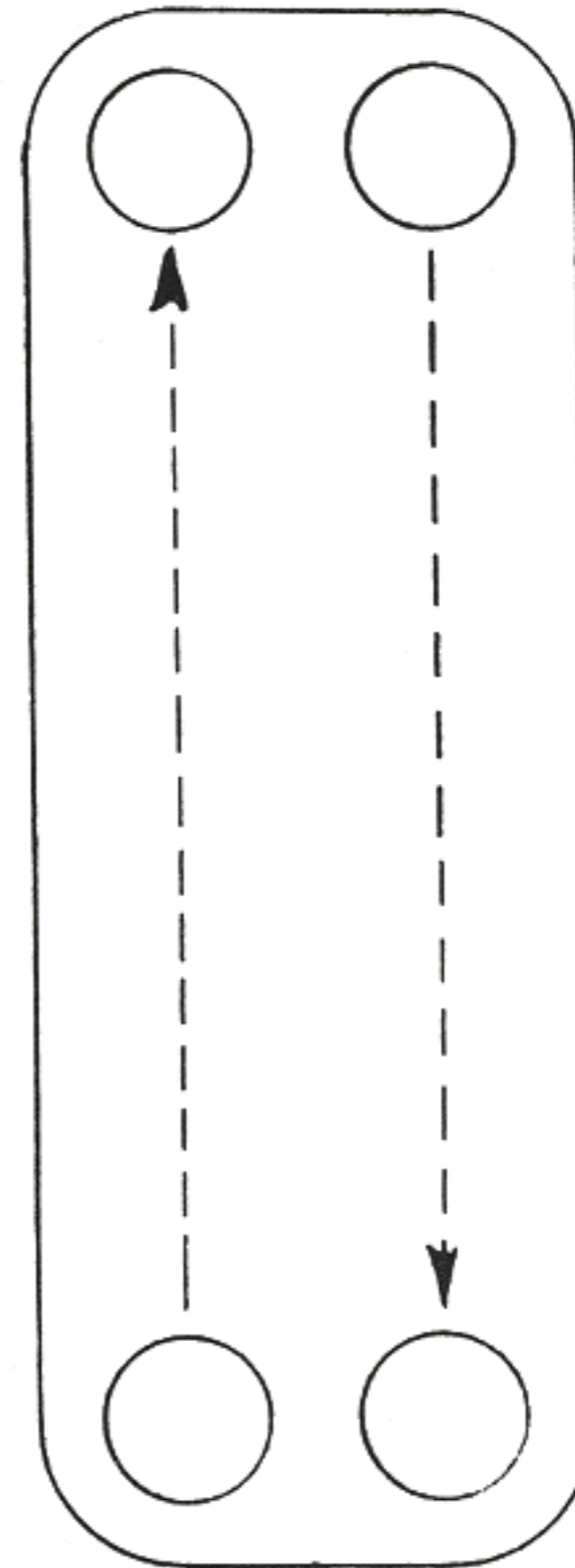
**GPX PLATE HEAT EXCHANGER
FLOW PATTERNS**

DIAGONAL FLOW



UNITS: GPX 34 (OBSOLETE, EFF. 9/97)
GPX 130 (OBSOLETE)
GPX 258 (OBSOLETE)

PARALLEL FLOW



UNITS: GPX 84P	GPX 807
GPX 151	GPX 850
GPX 161	GPX 850B (OBSOLETE)
GPX 237	GPX 915
GPX 258B	GPX 1152
GPX 538	GPX 1614
GPX 646	GPX 1700 (OBSOLETE)
GPX 678	GPX 1980

NOTE 1: All units are only offered in the flow pattern indicated.

NOTE 2: Flow directional arrows are typical for single pass and may not represent all installations.
If dimensions and connection locations are needed for prepping layout, write for certified prints.